

> 30 ≤ 120	± 0.3
> 6 ≤ 30	± 0.2
≤ 6	± 0.1
ANGLE	± 0°30'
GENERAL TOLERANCES FOR NOMINAL DIMENSIONS WITHOUT SPECIFIED TOLERANCE	

3,2 / (0,2)

⊙ ⌀0.1 A

⌀ 16 ±0.035

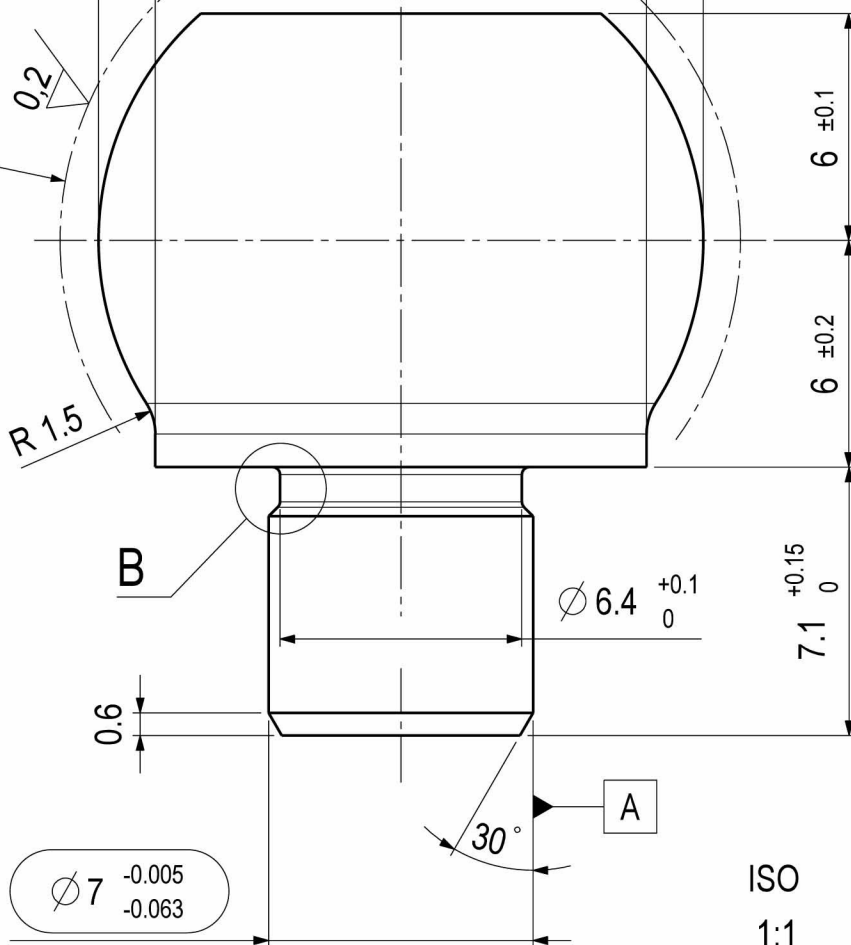
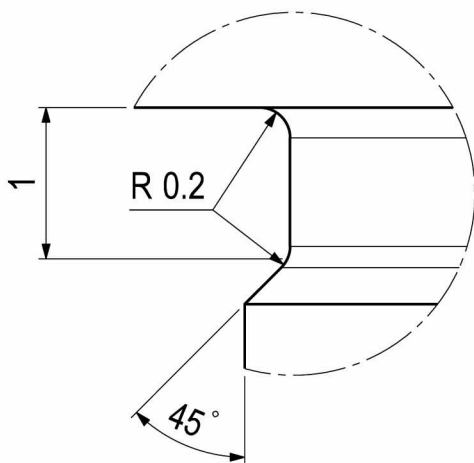
FINAL SPHERE DIMENSION

⌀ 13

FUNCTIONAL SURFACE WITHOUT SCRATCHES - FINISHED, MAX. 3 SCRATCHES ALLOWED LESS THEN 4 μm.

B

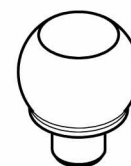
20:1



03 ⌀ 7 -0.005 / -0.063

FINAL DIMENSION

ISO 1:1



SURFACE PROTECTION ACCORDING TO VW 13750 OfI k110, e320.
SURFACE PROTECTION TESTED IN THE TOP ASSEMBLY.

---	---	11 109.0 / DIN 9SMnPb28K / CF 10 S 20	---	---	---	---	
QUANTITY	NAME - DIMENSION	MATERIAL - STANDARD	WEIGHT	TO	NUMBER OF DETAIL (ASSEMBLY)	POSITION	
ACCEPTANCE CRITERIA			NO MANUAL CHANGES				
SCALE 5:1 (20:1) (1:1)	DESIGNER	CAD CATIA v. 5	CHANGES	ECR 930 - 08	12.09.2008	03	náhr.
	CHECK	ISO 128		ECR 789 - 07	20.03.2007	02	náhr.
	TPV	ISO 2768 m H		ECR 494 - 05	15.04.2005	01	---
	AUTHORIZE	WEIGHT 0,0177 kg		ECR 259 - 04	30.04.2004	00	---
	DATE	17.09.2004					
	NAME		DRAWING NUMBER				
	BALL PIN		1200053				