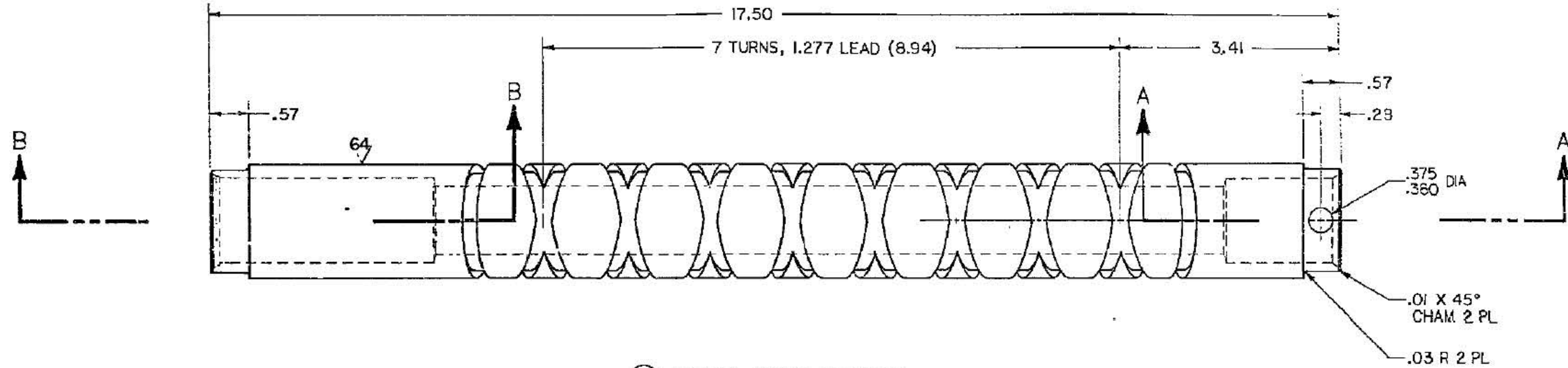
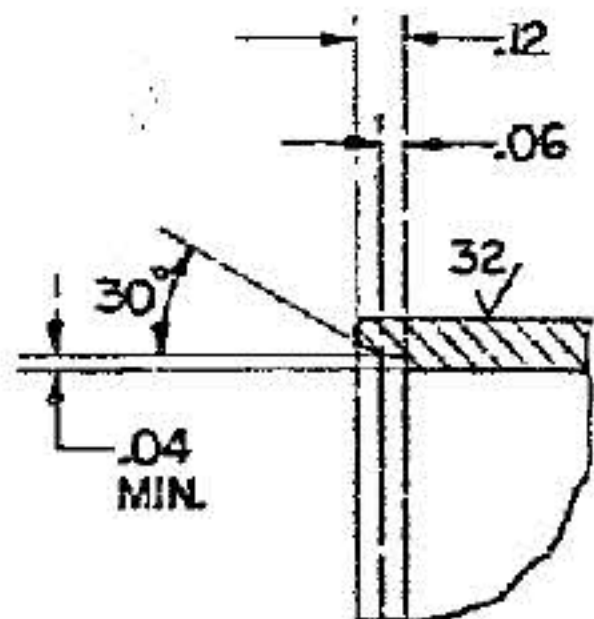


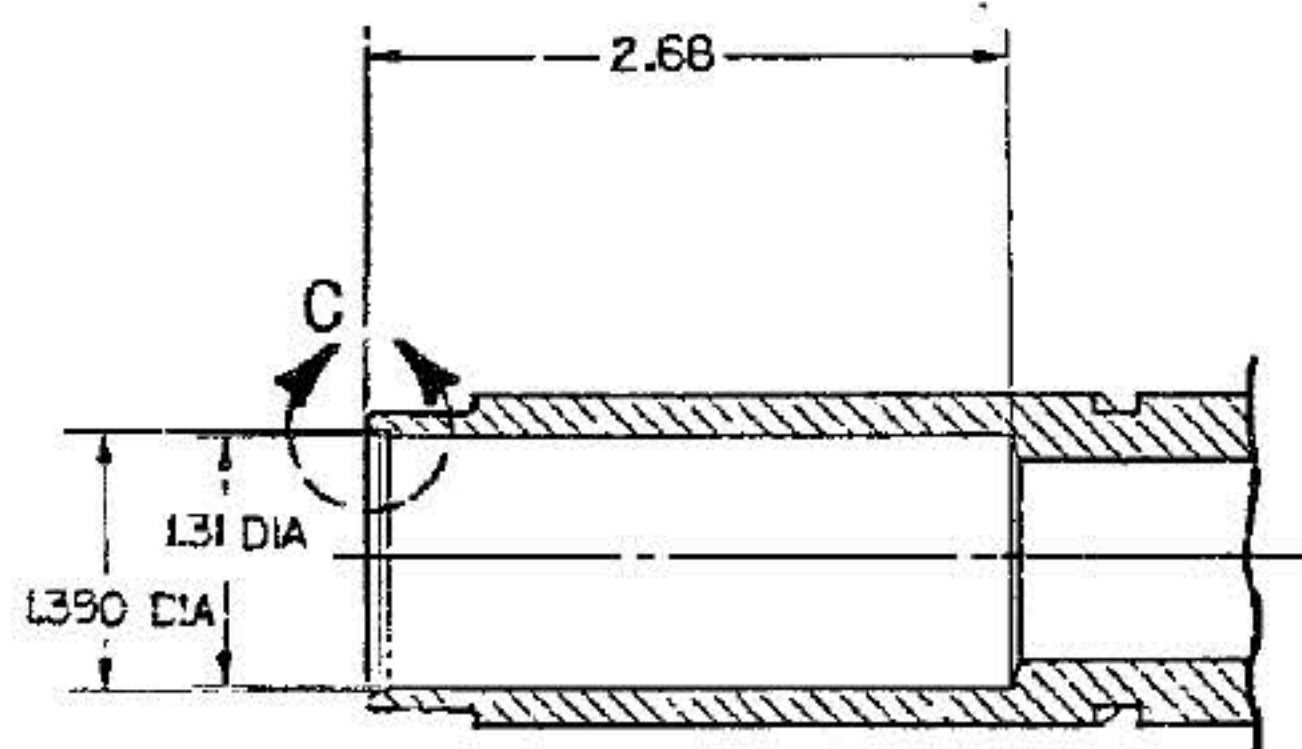
- NOTES:
1. HEAT TREAT TO CONDITION H950, RHC47-49.
  2. ALL DIMENSIONS ARE AFTER HEAT TREAT.
  3. PASSIVATE PER QQ-P-35, TYPE 1 OR 2.



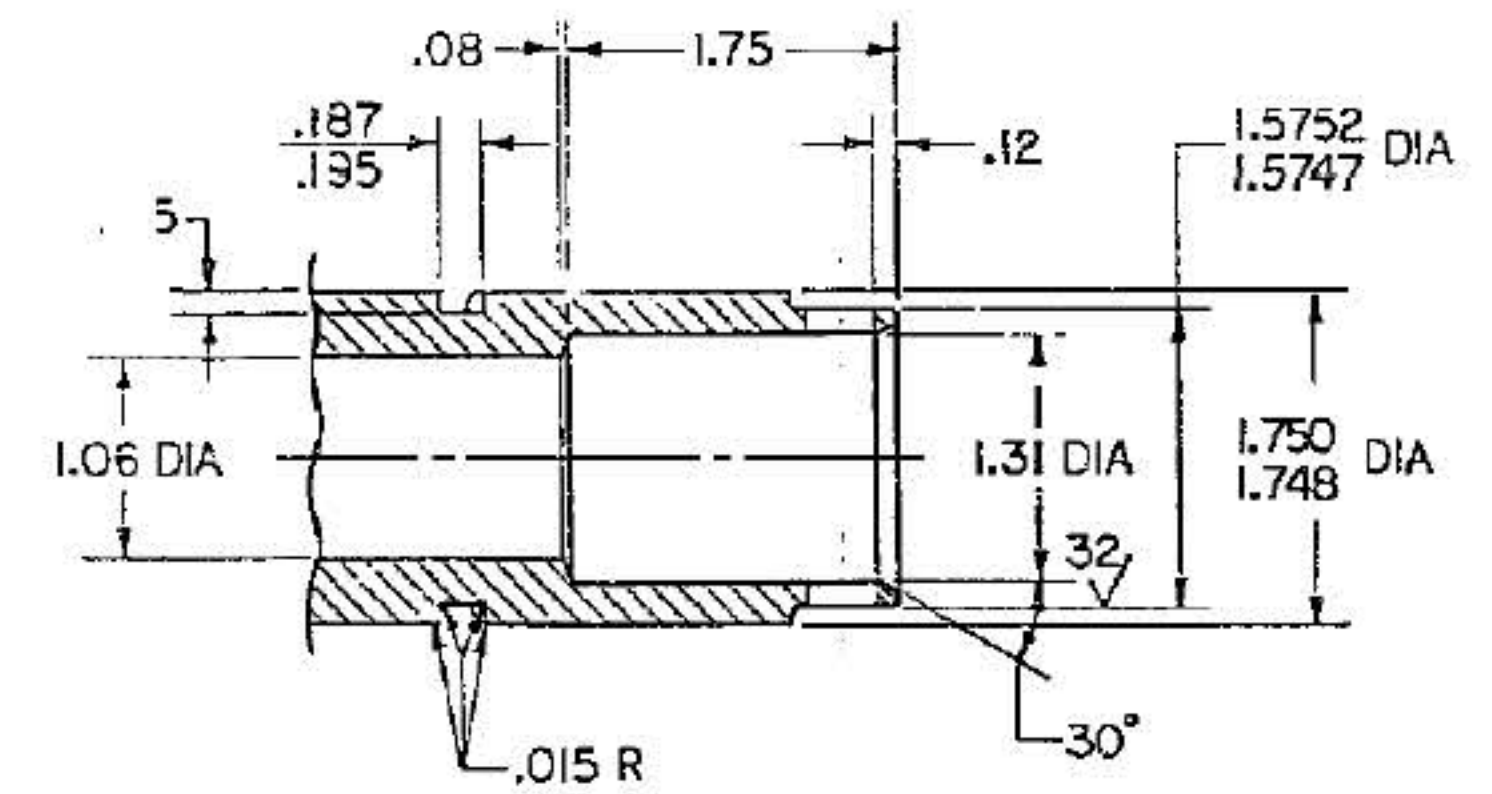
① LEVEL WIND SCREW



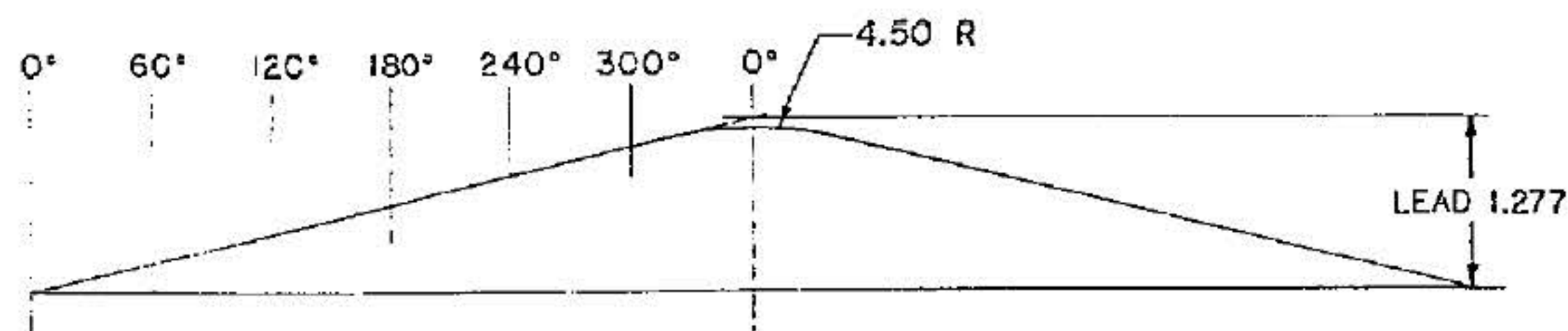
DETAIL C  
SCALE: 2/1



SECTION B-B  
(ALL DIMENSIONS IDENTICAL TO SECTION A-A EXCEPT AS SHOWN)



SECTION A-A



REVERSING GROOVE DEVELOPMENT